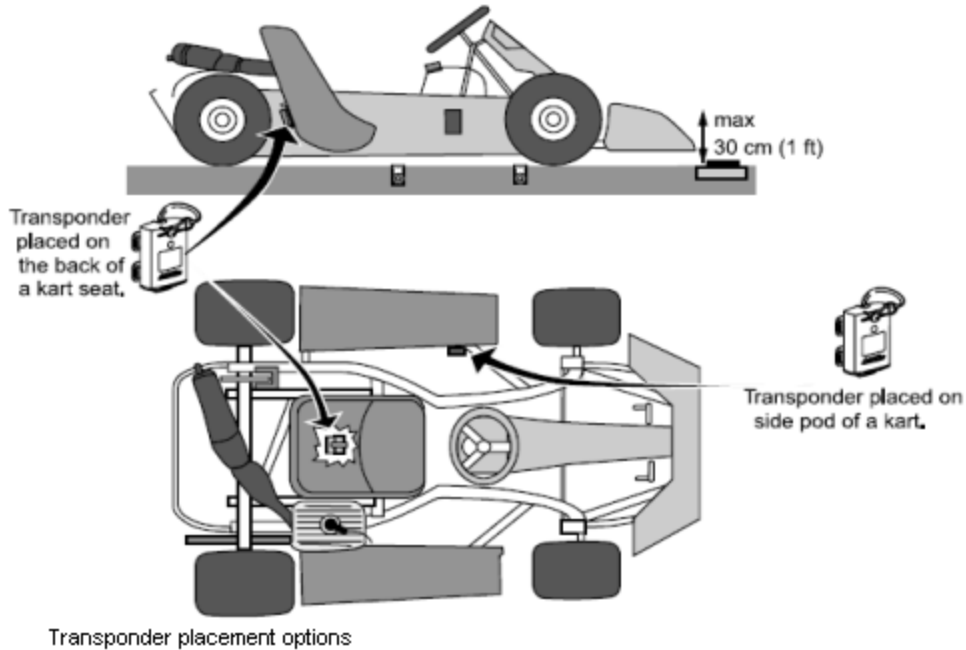


## How to install a transponder on a kart

The position of the transponder must be identical on all karts competing in the race. Fix the transponder at a maximum of 30 cm (1 ft), above the track. Make sure that the transponder has a clear view to the track with no metal or carbon fiber underneath. Maximum operating temperature should not exceed 122F/50°C.

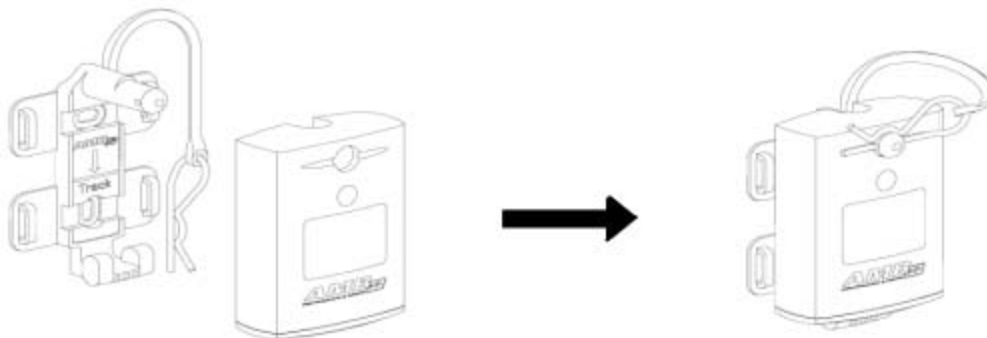
The mounting position is related to the type of transponder:

### 1) Rechargeable transponder (TranX160)



### Installation of a rechargeable transponder

The transponder has to be mounted vertically. Fix the holder on the kart with the fixing rod on top by using tie-wraps, screws or rivets. Fasten the transponder using the supplied fixing pin.

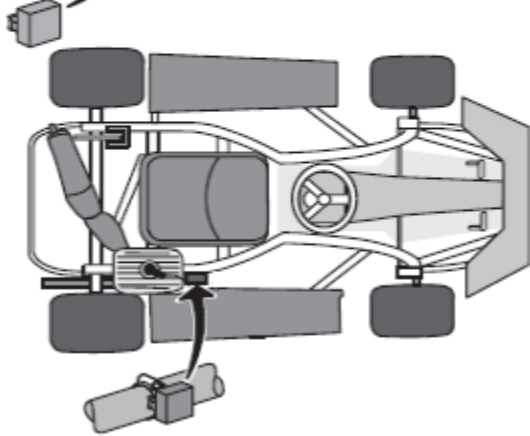
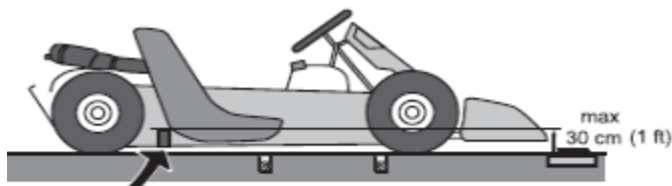


### Fastening the rechargeable transponder in the holder

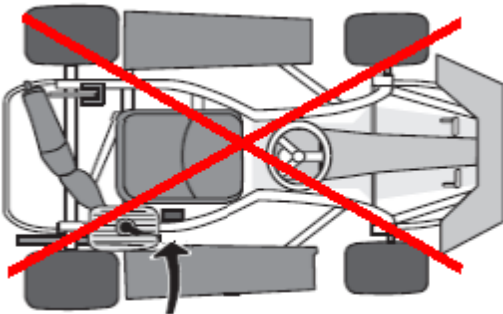
#### WARNING

A detached transponder can be very dangerous! Make sure the transponder cannot get detached. Use additional tie-wraps to secure the pin.

## 2) Activated transponder (TranX140)



Recommended transponder position



Wrong transponder position

### Installation of an activated transponder

Fix the transponder on the kart by using a hose clamp. The transponder can be oriented towards the front, back or the side of the kart. Mount the transponder horizontally, with the arrows on the transponder pointing to the track. Mount the TranX140 transponder on the outside of the frame. When mounted inside the frame, the activation signal might not “wake up” the transponder. As a result a transponder might not register even when mounted at the right distance to the track.

### WARNING

A detached transponder can be very dangerous! Make sure the transponder cannot get detached.